



**6x2 HDMI
Switcher
USER MANUAL**

ASKING FOR ASSISTANCE

Technical Support:

Telephone (818) 884-6294
(800) 545-6900

Fax (818) 884-3108

Technical Support Hours:

8:00 AM to 5:00 PM Monday thru Friday.

Write To:

Gefen Inc.
C/O Customer Service
6265 Variel Ave.
Woodland Hills, CA 91367-9897

Notice

Gefen Inc. reserves the right to make changes in the hardware, packaging and any accompanying documentation without prior written notice.

6x2 HDMI Switcher is a trademark of Gefen Inc.
HDMI is a trademark of hdmi.org

TABLE OF CONTENTS

- 1** Introduction
- 2** Features
- 3** Front Panel Description
- 4** Back Panel Description
- 5** Connecting and Operating the 6x2 HDMI Switcher
- 6** RMT6-IR Installation
- 7** Dip Switch Guidelines
- 8** RS-232 Interface
- 9** Rack Mount Diagram
- 10** Specifications
- 11** Warranty

INTRODUCTION

Congratulations on your purchase of the ex•tend•it 6x2 HDMI Switcher. Your complete satisfaction is very important to us.

Gefen's line of HDTV switches, extenders, and splitters are designed to make your A/V equipment use more comfortable, more productive and less expensive.

The 6x2 HDMI Switcher allows access to six HDTV devices, using two HDTV displays. Both output displays will have mirrored images. Also included is a TOSLINK output that will output the HDMI digital audio signal in Toslink digital audio form.

The ex•tend•it line offers solutions for Home Theater, AV installation, noise, space and security concerns, data center, information distribution, conference room presentation, school and corporate training environments.

Our Commitment

Gefen will always offer the finest quality product at the best possible price. Included in that price is a lifetime support from a team of outstanding engineers.

The ex•tend•it 6x2 HDMI Switcher allows six HDTV HDMI devices to be switched easily in to two HDTV HDMI compatible monitors or projectors. Simply connect your HDTV displays to the Switcher's display outputs. The 6x2 HDMI Switcher can also be placed at the end of a long HDMI cable to regenerate the HDMI signal.

FEATURES

Features

- Switches easily between any six HDMI sources
- Maintains 480i, 480p, 720p, 720i, and 1080i, 1080p resolutions
- Maintains highest HDMI single link video resolution
- Maintains highest HDMI digital audio signal
- Includes TOSLINK output for easy hookup to digital audio systems
- Supports HDCP compliant devices
- HDMI or DVI to HDMI cables are used to connect the inputs and switcher output
- Inputs can be switched with the IR remote control, contact closure controller or through the RS232 connector.
- Installs in seconds

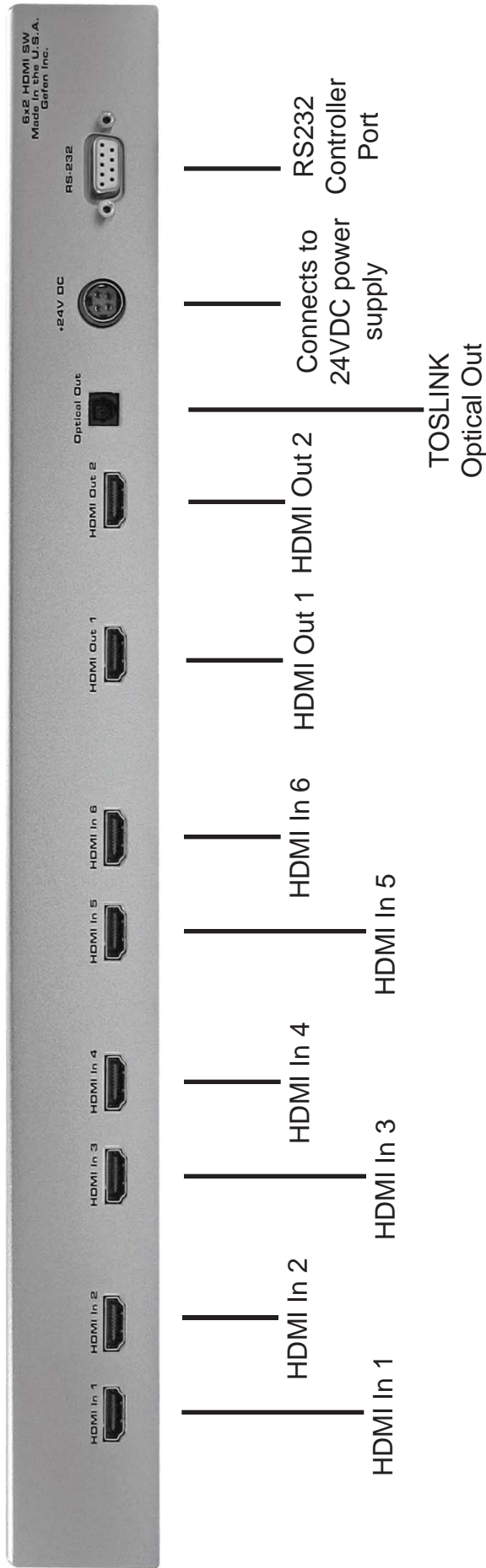
Includes:

- (1) 6x2 HDMI Switcher
- (6) 6' HDMI cables (m-m)
- (1) 24VDC Power Supply
- (1) RMT6-IR
- (1) Rack Ears
- (1) Manual

FRONT PANEL DESCRIPTIONS



BACK PANEL DESCRIPTIONS



CONNECTING AND OPERATING THE 6x2 HDMI SWITCHER

How to Connect the 6x2 HDMI Switcher to your devices

- 1** Connect the supplied cables from the HDTV sources into the 6x2 HDMI Switcher inputs.
- 2** Connect the cable from your display (monitor or projector) into the HDMI outs of the 6x2 HDMI Switcher.
- 3** Connect any Digital Audio Receiver into the Toslink out of the 6x2 HDMI Switcher
- 3** Plug the 5VDC power supply into the 6x2 HD Switcher.

How to enable the TOSlink on the 6x2 HDMI Switcher

The TOSlink audio out is only enabled if you are using an HDMI source and an HDMI display, otherwise the source goes into DVI mode by reading the DVI display EDID. If you are using a DVI display you will have to open the switcher box to access the dip switches and flip dip switch #2 (refer to page 7) to enable the TOSlink audio out. If you are using both an HDMI and DVI display, make sure you have the HDMI display on output 1 to enable the TOSlink audio out.

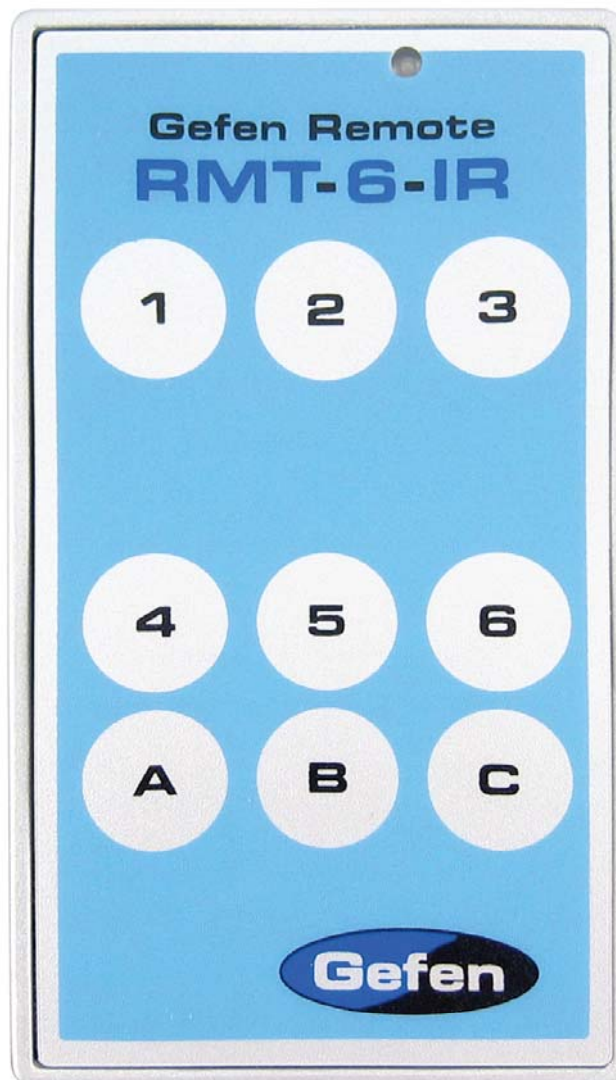
How to Control the 6x2 HDMI Switcher

Use the RMT6-IR remote control to toggle between sources.

RMT6-IR INSTALLATION

1. Remove battery cover from the back of the RMT6-IR remote.
2. Verify that dip switches 1 & 2 are in the down (OFF) position.
3. Insert the battery, hold the battery so that you can see the positive side facing up. The side that is not marked must be facing down.
4. Test the RMT6-IR remote by pressing **ONLY** one button at a time. The indicator light on the remote will flash once each time you press a button. **WARNING:** Do not press multiple buttons simultaneously and do **NOT** press buttons rapidly. These actions will cause the remote to reset and steps 1-4 will have to be repeated.

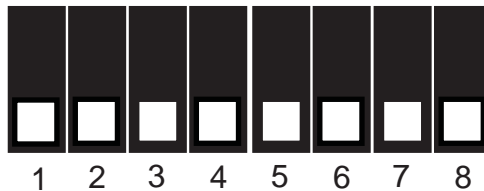
Note: The RMT6-IR ships with two batteries. One battery is required for operation, the second battery is complimentary.



DIP SWITCH GUIDELINES

Inside the 2X2 HDMI Switcher is a bank of Dip Switches. Below is a table describing their functions. By default, all switches are set to the Off position.

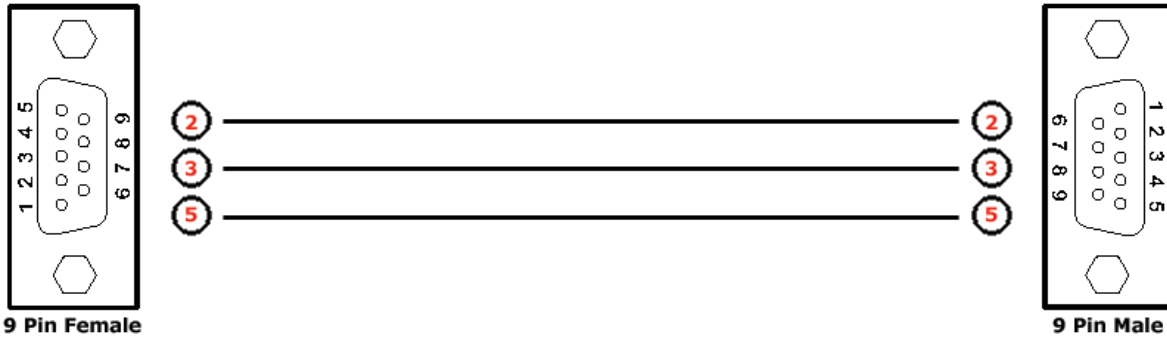
| Dip Switch # | Name | Description |
|--------------|--------------------|---|
| 1 | Switching Delay | Adds a 3 second delay to switching |
| 2 | On Board EDID | Feeds a Generic HDMI EDID to all Inputs |
| 3 | IR Code Dip Switch | Corresponds to Dip Switch 1 on RMT16-IR |
| 4 | IR Code Dip Switch | Corresponds to Dip Switch 2 on RMT16-IR |
| 5 | Unused | |
| 6 | Unused | |
| 7 | Unused | |
| 8 | Edge Select | +Edge Pixels |



How to open the 2x2 HDMI Switcher:

To access the dip switches, first remove the 2 hex nuts on the back of the unit (2 for RS232 port). Remove the 5 Philips screws under the unit and the 4 screws on each side of the unit. Now carefully remove the cover of the 2x2 HDMI Switcher.

RS-232 INTERFACE



Binary Table

| ASCII | Input | Binary |
|-------|-------|-----------|
| 1 | 1 | 0011 0001 |
| 2 | 2 | 0011 0010 |
| 3 | 3 | 0011 0011 |
| 4 | 4 | 0011 0100 |
| 5 | 5 | 0011 0101 |
| 6 | 6 | 0011 0110 |

RS232 Settings

Bits per second 19200

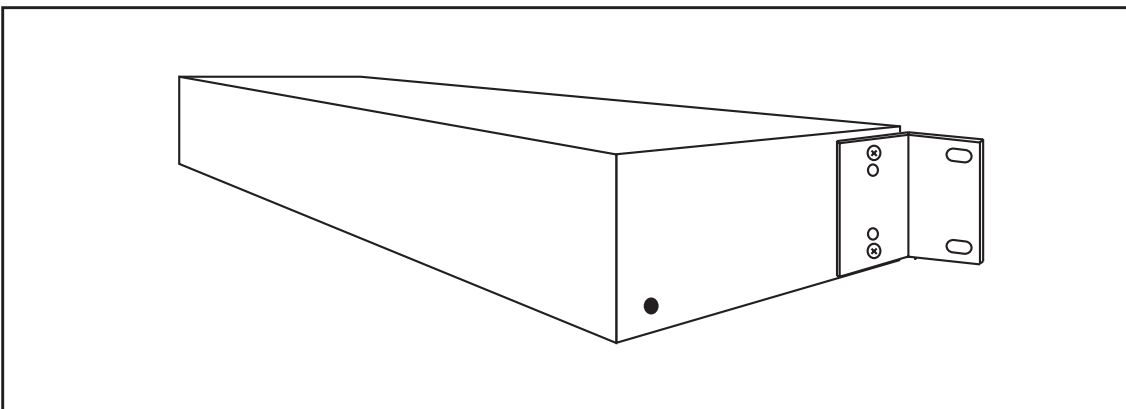
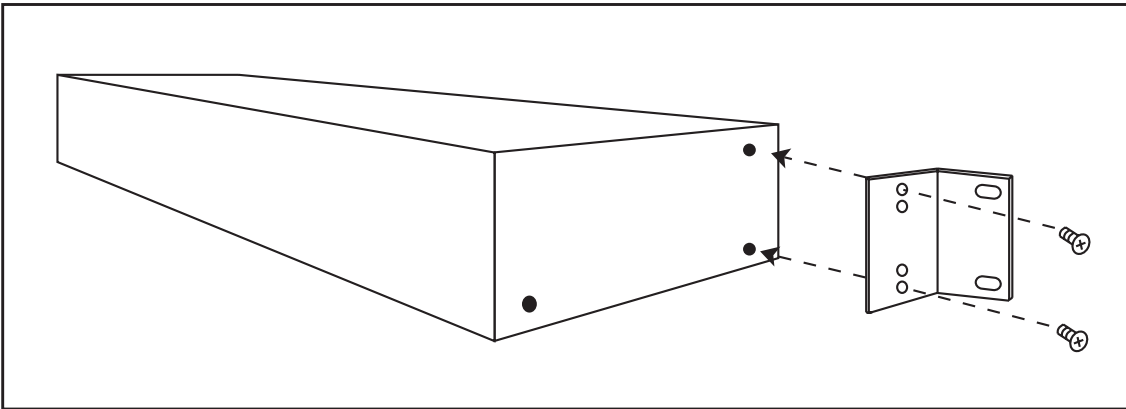
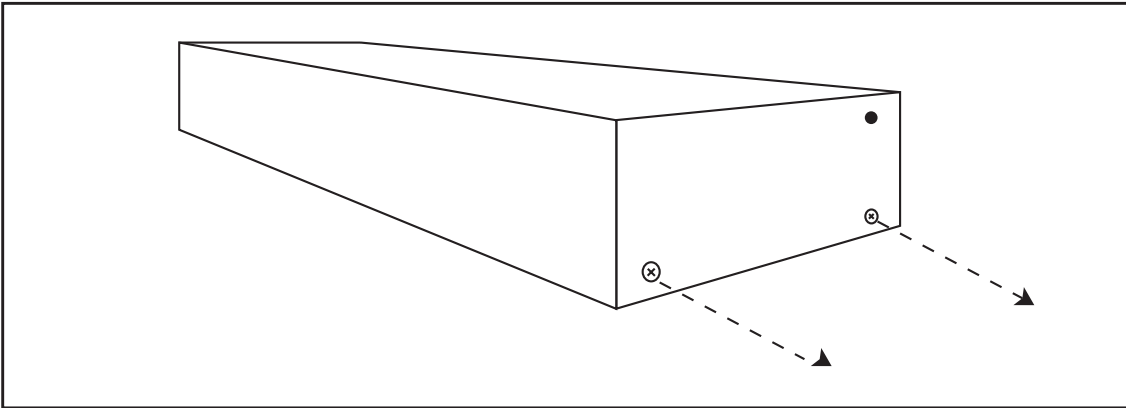
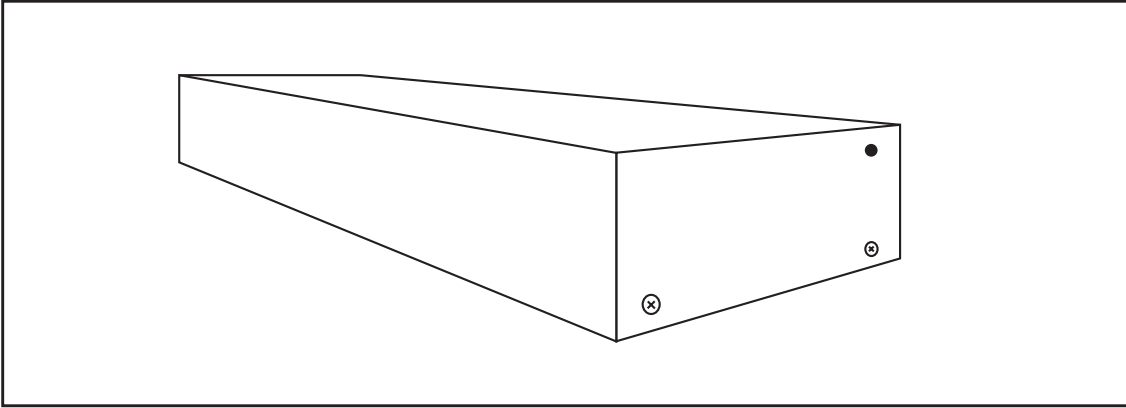
Data bits 8

Parity None

Stop bits1

Flow Control None

6x2 HDMI SWITCHER RACK MOUNT DIAGRAM



SPECIFICATIONS

| | |
|----------------------------------|-------------------------|
| Video Amplifier Bandwidth | 1.65 GHz |
| Input Video Signal | 1.2 volts p-p |
| Input DDC Signal | 5 volts p-p (TTL) |
| Single Link Range | ...1080p / 1920 x 1200 |
| Input Connector Type | HDMI |
| Output Connector Type | HDMI |
| Output Audio Connector Type..... | ...TOSLINK |
| Power Consumption | 15 Watts (max.) |
| Power Supply | 24VDC |
| Dimensions | 17"W x 1.75"H x 5.875"D |
| Shipping Weight | 8 Lbs |

WARRANTY

Gefen Inc. warrants the equipment it manufactures to be free from defects in material and workmanship.

If equipment fails because of such defects and Gefen Inc. is notified within two (2) year from the date of shipment, Gefen Inc. will, at its option, repair or replace the equipment, provided that the equipment has not been subjected to mechanical, electrical, or other abuse or modifications.

Equipment that fails under conditions other than those covered will be repaired at the current price of parts and labor in effect at the time of repair. Such repairs are warranted for ninety (90) days from the day of reshipment to the Buyer.

This warranty is in lieu of all other warranties expressed or implied, including without limitation, any implied warranty or merchantability or fitness for any particular purpose, all of which are expressly disclaimed.

1. Proof of sale may be required in order to claim warranty.
2. Customers outside the US are responsible for shipping charges to and from Gefen.
3. Copper cables are limited to a 30 day warranty and cable must be free from any scratches, markings, and neatly coiled.

The information in this manual has been carefully checked and is believed to be accurate. However, Gefen Inc. assumes no responsibility for any inaccuracies that may be contained in this manual. In no event will Gefen Inc., be liable for direct, indirect, special, incidental, or consequential damages resulting from any defect or omission in this manual, even if advised of the possibility of such damages. The technical information contained herein regarding 6x2 HDMI Switcher features and specifications is subject to change without notice.

* MA- hdmi - 642*

6265 Variel Avenue Woodland Hills, CA 91367
1-800-545-6900 818-884-6294 fax: 818-884-3108
www.gefen.com gsinfo@gefen.com